



SCARIFIERS

Hand-held & Walk-behind



NEEDLE SCALERS

Hand-held & Extended Reach



GRINDERS/SANDERS

Hand-held & Extended Reach



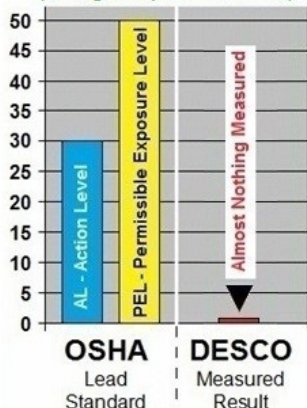
INDUSTRIAL VACUUMS

Hazmat & Radiological



OSHA Compliant*

(Micrograms per Cubic Meter)



*Industrial Hygiene report results for tools tested.



Descobrader

Supplement for 3,500rpm Models



3,500rpm Descobrader Configurations

Applicable to This Document

Part	Description	Remarks
120.2230	Descobrader, electric 440v-3ph, 3,500rpm. w/DC	For use with Bristle or XT
120.1230	Descobrader, electric 440v-3ph, 3,500rpm. w/o DC	For use with Bristle or XT

Note: The 3,500rpm configuration can be used with a bristle hub or a BPH hub with purple XT. No other hubs or abrasives are supported.

DESCO Mfg. Co., Inc.

23031 Arroyo Vista • Rancho Santa Margarita, CA 92688
 949.858.7400 • 949.858.9141 fax • 800.337.2648 toll free
 www.descomfg.com • info@descomfg.com



Chapter 1 – General Information

1.1 Scope

This document is a supplement to the Descobrader manual for the purpose of describing the differences in the 3,500 rpm models relative to the 1,750 rpm models. The original Descobrader and most later configurations are 1,750 rpm.

1.2 How to Identify a 3,500 rpm Model

The machines are largely identical in appearance. However, there are a few details that can be used to identify a 3,500 rpm model, as follows:

- Power – All 3,500 rpm models are electric.
- Motor Nomenclature – The nomenclature placard on the electric motor will list 3,520 rpm.

HZ	60	HP	5.00	RPM 3520
SF	01.25	DESIGN	B	CODE J
GUARANTEED EFFICIENCY	86.5	MAX KVAR	1.40	
NEMA NOM EFFICIENCY	88.5	NOM PF	87.1	
VOLTS	208 – 230/460			
FL AMPS	13.40 – 12.20/6.10			
SF AMPS	15.1/7.6			

1.3 Differences: 1,750 vs. 3,500 rpm Models

The differences are summarized as follows:

Item	1,750 rpm	3,500 rpm
Electric Motor	120.143	120.1415
BPH hub	120.021	120.021.1
Bristle hub	<i>n/a</i>	Stamped <i>BPH Only</i> 120.214
Cutter hub	120.024	<i>n/a</i>
Roto-peen hub	120.029	<i>n/a</i>
Splined shaft	120.111	120.1111
Splined shaft friction management	Bushing	Ball bearings
Lubrication	Grease (Zerk fitting)	Not required (1/8" plug, NPT)



Figure 1 – 3,500 RPM BPH Hub Identification

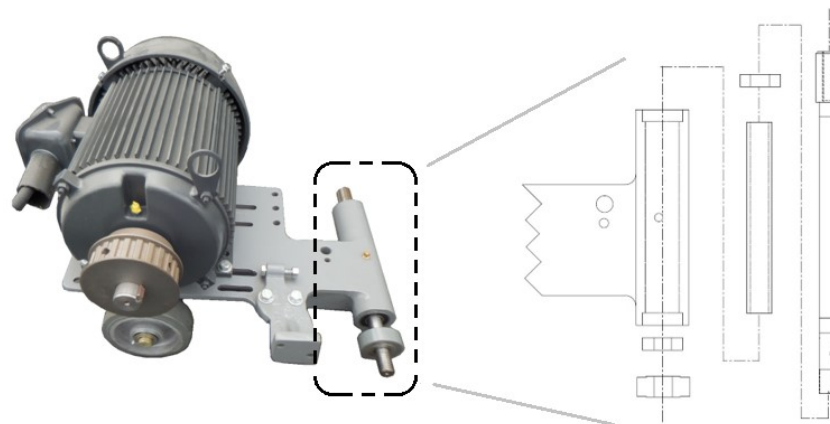
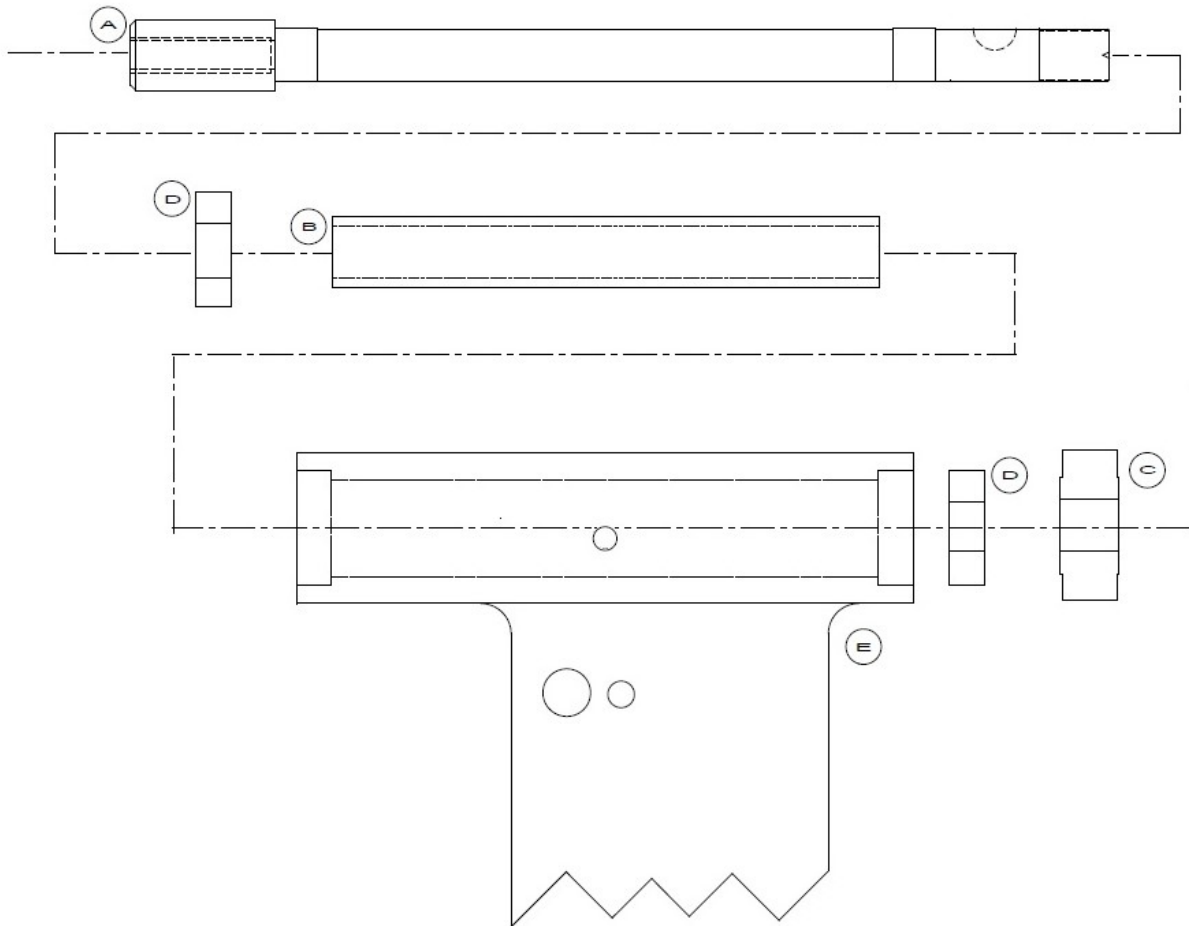


Figure 2 – Drawing Orientation

CHAPTER 2 – Schematic

See *Figure 2 – Drawing Orientation* for context of illustration below.



Ref	Part	Description
A	120.1111	Splined Shaft, bristle, Descobrader
B	120.1181	Shaft Floater-3500 RPM
C	120.1101	Spacer-3500 RPM Spline Shaft
D	550.60355	Ball Bearing (Sealed) (2)
E	120.0721	Chassis, Machined for Ball Bearing