



SCARIFIERS

Hand-held & Walk-behind



NEEDLE SCALERS

Hand-held & Extended Reach



GRINDERS/SANDERS

Hand-held & Extended Reach



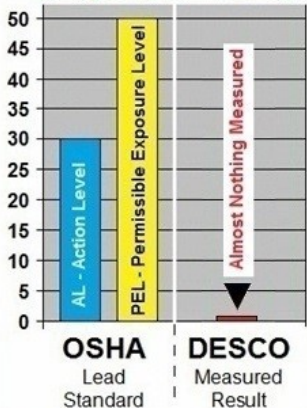
INDUSTRIAL VACUUMS

Hazmat & Radiological



OSHA Compliant*

(Micrograms per Cubic Meter)



*Industrial Hygiene report results for tools tested.



Magnetic Broom

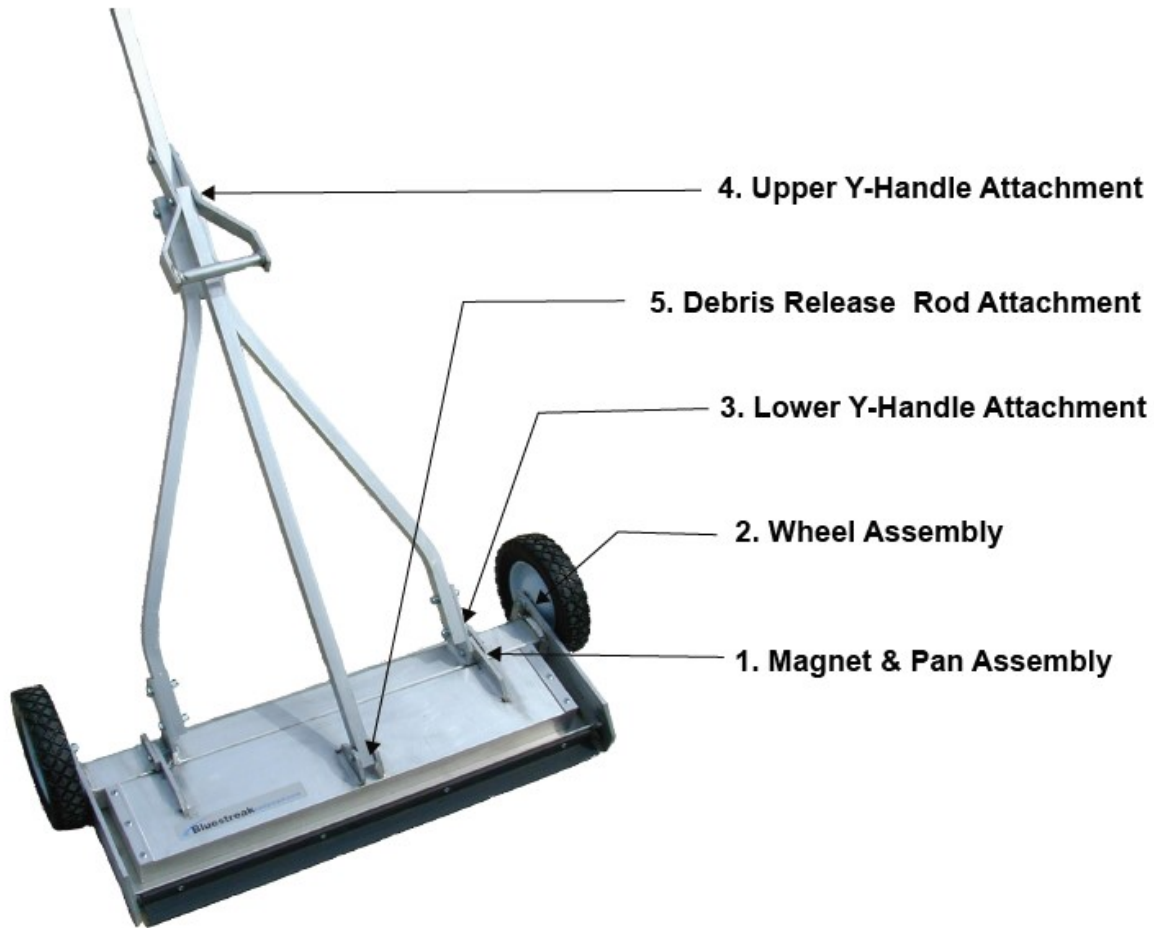


900.036

DESCO Mfg. Co., Inc.

23031 Arroyo Vista • Rancho Santa Margarita, CA 92688
949.858.7400 • 949.858.9141 fax • 800.337.2648 toll free
www.descomfg.com • info@descomfg.com

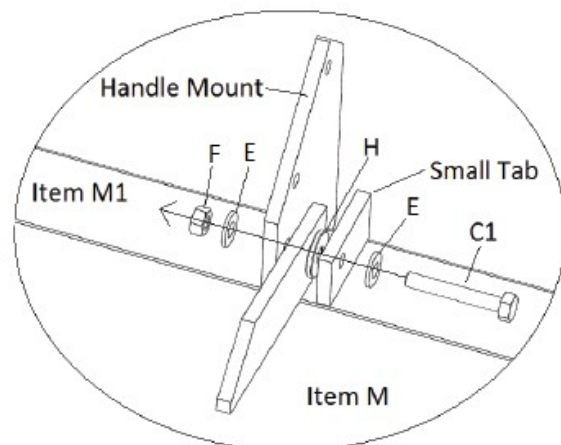
Assembly Instructions



1. Magnet & Pan Assembly

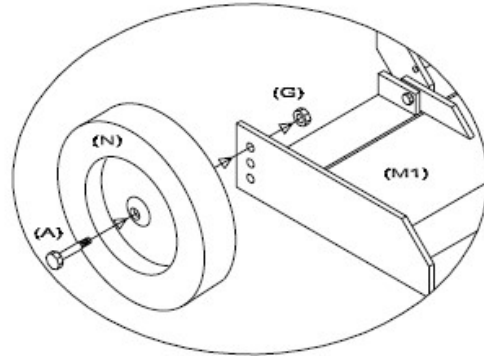
Part 1 - Insert a Nylon Flange Bushing (Item H) into Magnet Assembly (Item M). Repeat for opposite side. The flange of the bushings should be on the outside the Magnet Assembly on each side of the sweeper.

Part 2 - Place the Magnet Assembly (Item M) into the Pan Assembly (Item M1). Insert a $\frac{1}{4}$ " x 1 $\frac{3}{4}$ " Hex Bolts (Item C1) through a Washer (Item E), through the Small Tab welded to the Pan Assembly (Item M1), through the Flange Bushing installed in the Magnet Assembly (Item M), through the welded handle mount, and install 1 Washer (Item E) and 1 Hex Nut (Item F). Repeat for opposite side. Tighten bolt gently.



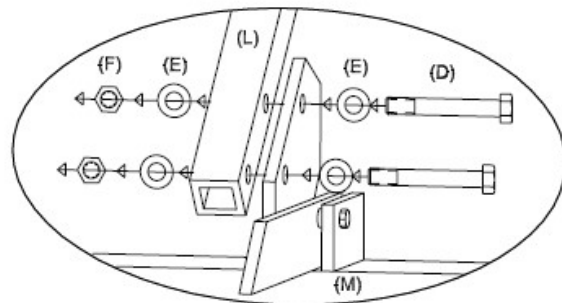
2. Wheel Assembly

Insert ½" Wheel Bolts (Item A) through 8" Steel Ball Bearing Wheels (Item N), through desired hole location on Magnetic Sweeper Assembly (Item M) and tighten ¾" Flanged Hex Nut (Item G).



3. Lower Y-Handle Attachment

Attach Lower Y-handle Arms (Item L) to the top side of Magnetic Sweeper Assembly (Item M) Using 4 Hex Bolts (Item D), 8 Washers (Item E), and 4 Hex Nuts (Item F). Do not tighten until completing next step.

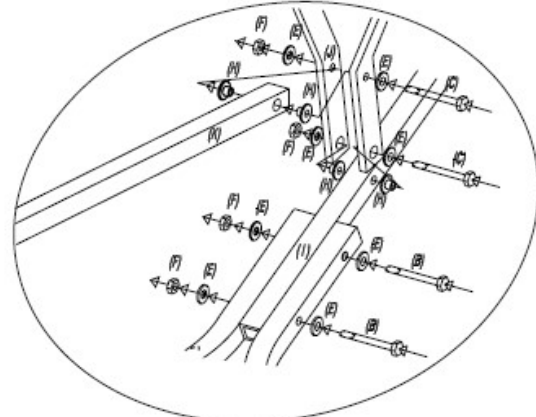


4. Upper Y-Handle Attachment

a) Attach Upper Y-handle Assembly (Item I) to Lower Y-handle Arms (Item L) using 2 Hex Bolts (Item B), 4 Washers (Item E), and 2 Hex Nuts (Item F) Tighten all bolts firmly using two 7/16 wrenches.

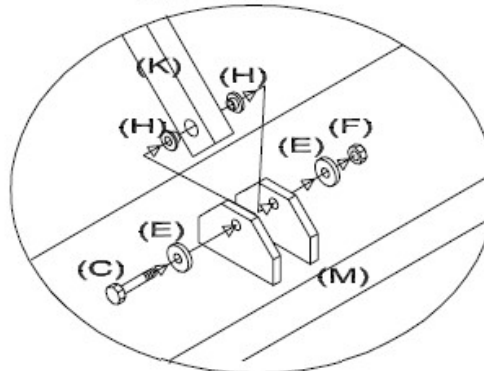
b) Insert 2 Nylon Flange Bushings (Item H) 1 on each side of the inside of Release Lever (Item J) and attach Release Lever (Item J) to Upper Y-handle (Item I) using 1 Hex Bolt (Item C) 2 Washers (Item E) and 1 Hex Nut (Item F). Tighten bolt gently. Over tightening bolt will interfere with operation of sweeper and produce a "squeaky" sound.

c) Insert 2 Nylon Flange Bushings (Item H) 1 on each side of Release Rod (Item K) Attach Release Rod (Item K) to Release Lever (Item J) using 1 hex bolt (Item C), 2 Washers (Item E), and 1 Hex Nut (Item F). Tighten bolt gently. Over tightening bolt will interfere with operation of sweeper.

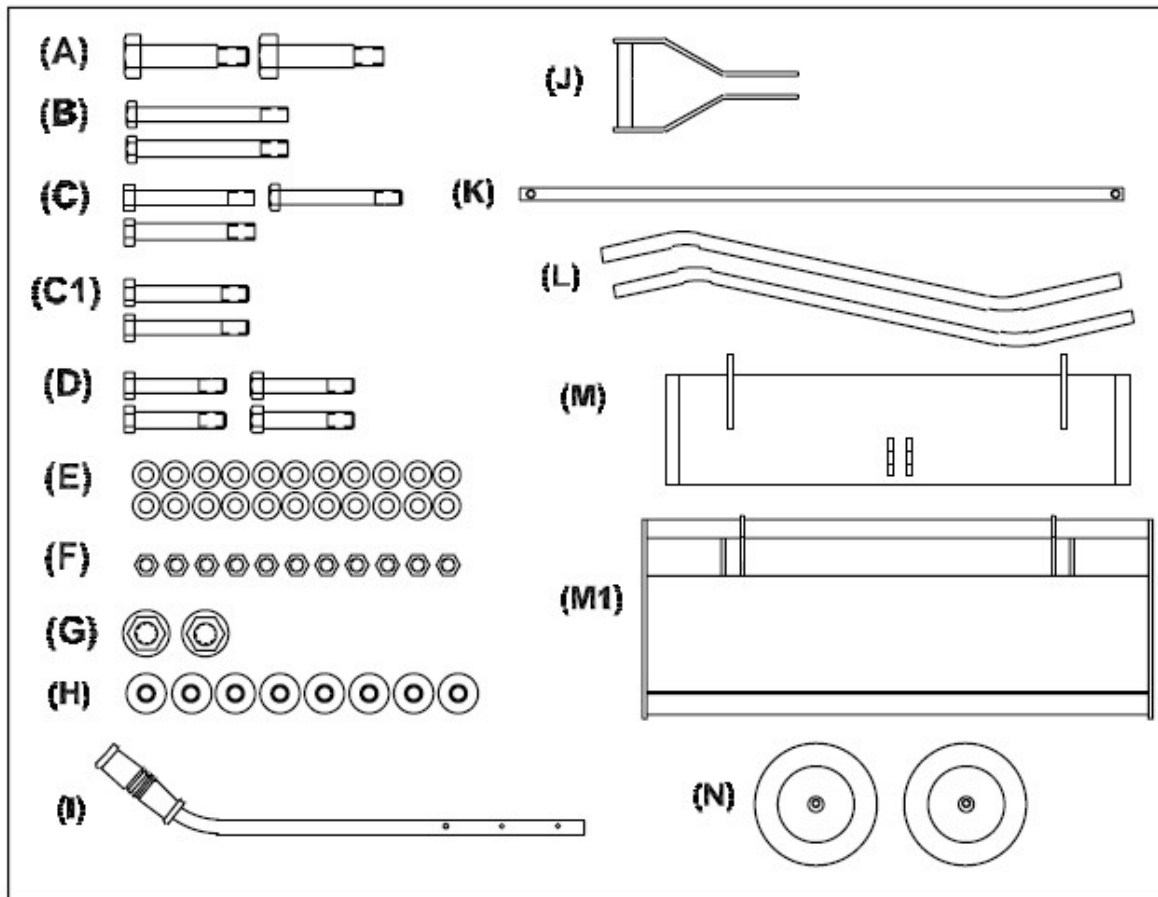


5. Debris Release Rod Attachment

Insert 2 Nylon Flange Bushings (Item H) 1 on each side of Release Rod (Item K) Attach Release Rod (Item K) to Magnetic Sweeper Assembly (Item M) using 1 hex bolt (Item C), 2 Washers (Item E), and 1 Hex Nut (Item F). Tighten bolt gently. Over tightening bolt will interfere with operation of sweeper.



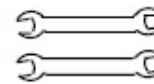
What's in the box



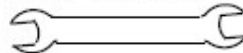
Item	Quantity	Description
(A)	2pcs	1/2" Wheel Bolts
(B)	2pcs	1/4" x 2 3/4" Hex Bolts
(C)	3pcs	1/4" x 2" Hex Bolts
(C1)	2pcs	1/4" x 1 3/4" Hex Bolts
(D)	4pcs	1/4" x 1 1/2" Hex Bolts
(E)	22pcs	1/4" Washers
(F)	11pcs	1/4" Hex Nuts
(G)	2pcs	3/8" Flanged Hex Nuts
(H)	8pcs	Nylon Flange Bushings
(I)	1pc	Upper Y- handle
(J)	1pc	Release Lever
(K)	1pc	Release Rod
(L)	2pcs	Lower Y-handle Arms
(M)	1pc	Magnet Assembly
(M1)	1pc	Pan Assembly
(N)	2pcs	8" Steel Ball Bearing Wheels

Tools Needed:

7/16 wrench x 2



9/16" wrench x 1



3/4 wrench x 1

